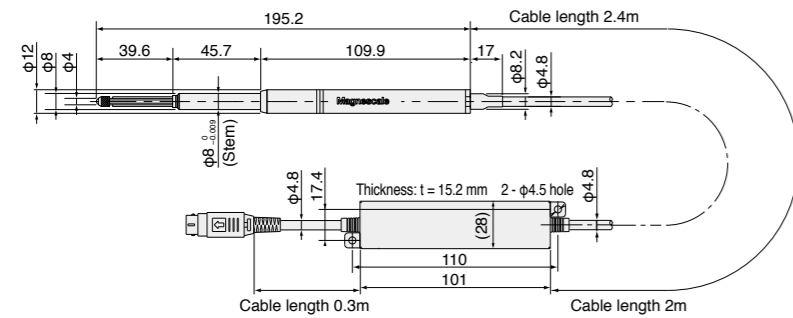


DK DK830S

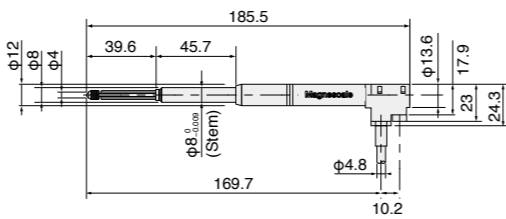
Resolution **0.1 μm** Stem **φ8** Stroke **30mm** Output **A/B phase**

DK830SR



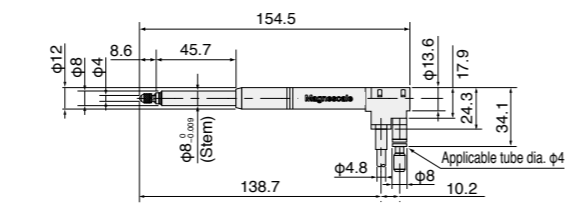
* Upon installation, clamp the stem.

DK830SLR



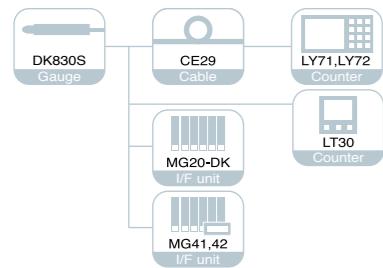
* Upon installation, clamp the stem.

DK830SVR



* Upon installation, clamp the stem.

Unit: mm



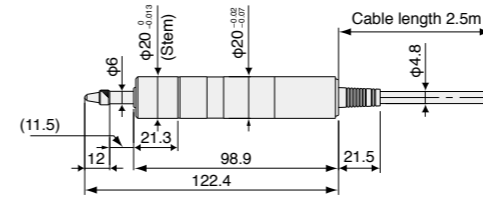
Model	Straight model		Right angle model		Pneumatic push type	
	DK830SR		DK830SLR		DK830SVR	
Measuring range	30 mm					
Maximum resolution	0.1 μm (0.5 μm resolution can also be selectable as special specifications.)					
Accuracy (at 20°C/68°F)	1.3 μm				1.7 μm	
Measuring force (at 20°C/68°F)	Upward: 0.5±0.35 N Horizontal: 0.6±0.35 N Downward: 0.7±0.35 N		Upward: 0.5±0.35 N Horizontal: 0.6±0.35 N Downward: 0.7±0.35 N		Upward: 0.5±0.35 N Horizontal: 0.6±0.35 N Downward: 0.7±0.35 N	
Maximum response speed	80 m/min					
Reference point	Position at spindle movement of 1mm					
Reference-point response speed	Same as the noted maximum response speed					
Output	A/B/reference point Voltage-differential line driver output (conforming to EIA-422)					
Spindle drive system	Spring push				Pneumatic push	
Achieved number of strokes ¹	60 million				30 million	
Protection grade ²	IP53		IP53/IP67 ³			
Vibration resistance	20 to 2000 Hz 100 m/s ²					
Impact resistance	1000 m/s ² 11 ms					
Operating temperature	0 °C to 50 °C					
Storage temperature	-20 °C to 60 °C					
Power supply	5 VDC±5 %					
Power consumption	1 W				1 W	
Mass ⁴	Approx. 70 g		Approx. 80 g			
Output cable length	2.4 m					
Feeler	Carbide ball tip, Mounting screw M2.5					
Accessories	Instruction Manual, +P M4 × 5 screw (2pc)					

¹ Under specific test conditions defined by Magnescale Co., Ltd. ² Excluding the interpolation box and connector
³ When the bellows set (optional accuracy) is mounted ⁴ Excluding cable section and interpolation box

DK DK10/25

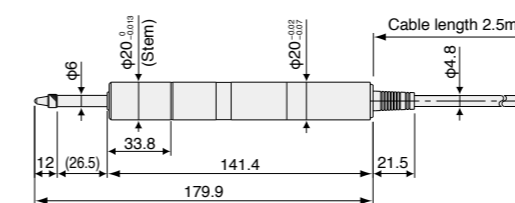
Resolution **0.5 μm** Stem **φ20** Stroke **10mm** Stroke **25mm** Output **A/B phase**

DK10NR5/PR5

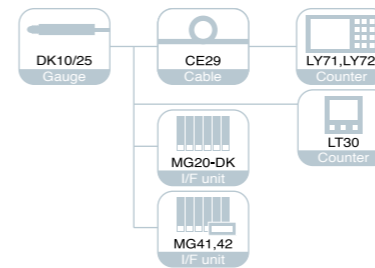


* Upon installation, clamp the stem.

DK25NR5/PR5



* Upon installation, clamp the stem.



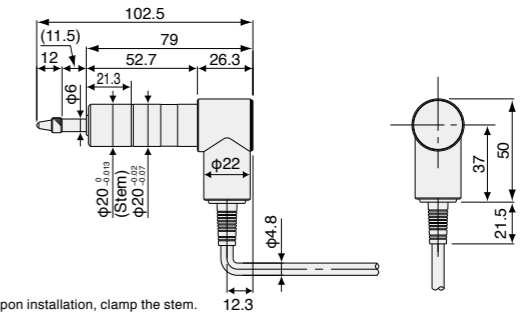
Model	Protected type model			Protected type model			
	DK10NR5	DK10PR5	DK10PLR5	DK25NR5	DK25PR5	DK25NLR5	DK25PLR5
Measuring range	10 mm			25 mm			
Maximum resolution	0.5 μm						
Accuracy (at 20°C/68°F)	2 μm						
Measuring force (at 20°C/68°F)	Upward: 0.3±0.25 N Horizontal: 0.6±0.3 N Downward: 0.8±0.35 N	4.9 N or less		Upward: 0.4±0.3 N Horizontal: 0.7±0.35 N Downward: 1±0.4 N	4.9 N or less		Upward: 0.4±0.3 N Horizontal: 0.7±0.35 N Downward: 1±0.4 N
Maximum response speed	250 m/min						
Reference point	Position at spindle movement of 1mm						
Reference-point response speed	Same as the noted maximum response speed						
Output	A/B/reference point Voltage-differential line driver output (conforming to EIA-422)						
Spindle drive system	Spring push						
Protection grade ¹	IP50	IP64		IP50	IP64	IP50	IP64
Vibration resistance	10 to 2000 Hz 150 m/s ²						
Impact resistance	1500 m/s ² 11 ms						
Operating temperature	0 to 50 °C						
Storage temperature	-20 to 60 °C						
Power supply	5 VDC±5 %						
Power consumption	1 W						
Mass ²	Approx. 230 g			Approx. 300 g			
Output cable length	2.4 m						
Feeler	Carbide ball tip, Mounting screw M2.5						
Accessories	Instruction Manual, +P M4 × 5 screw (2pc)						

¹ Excluding the interpolation box and connector
² Excluding cable section and interpolation box

* DK50NR5/PR5

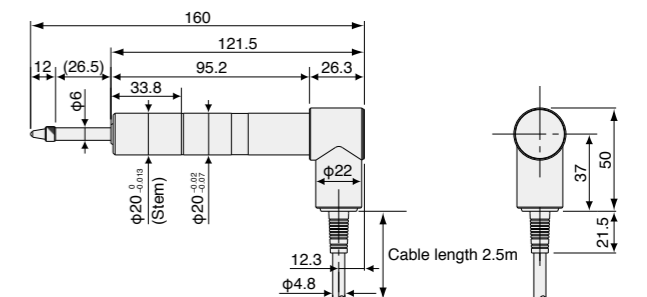


DK10PLR5



* Upon installation, clamp the stem.

DK25NLR5/PLR5



* Upon installation, clamp the stem.

Unit: mm