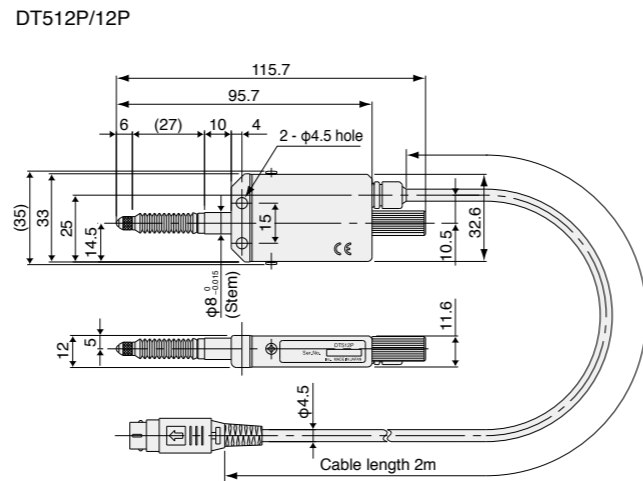
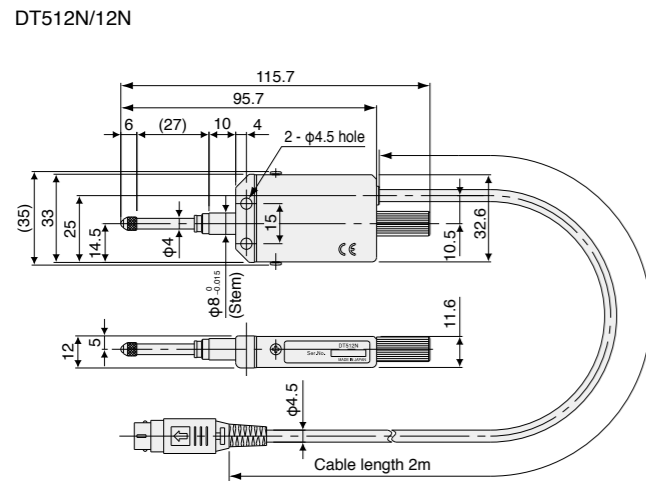


DT DT512/12

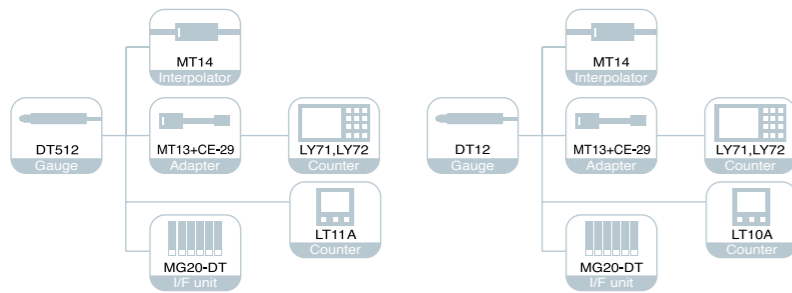
Resolution **1 μm**
Resolution **5 μm**
Stem **φ8**
Stroke **12mm**



* Upon installation, clamp the stem.

* Upon installation, clamp the stem.

Unit: mm



Specifications	Standard model		Protected type model	
	DT512N	DT512P	DT12N	DT12P
Model	DT512N	DT512P	DT12N	DT12P
Measuring range	12 mm			
Maximum resolution	1 μm		5 μm	
Accuracy (at 20°C/68°F)	6 μm		10 μm	
Measuring force (at 20°C/68°F)	Upward: 0.7±0.5 N Horizontal: 0.8±0.5 N Downward: 0.9±0.5 N	1.7 N or less in all directions	Upward: 0.7±0.5 N Horizontal: 0.8±0.5 N Downward: 0.9±0.5 N	1.7 N or less in all directions
Maximum response speed	Depending on unit to be connected			
Reference point	None			
Spindle drive system	Spring push-out			
Achieved number of strokes ¹	5 million			
Protection grade ²	—	IP64 or equivalent	—	IP64 or equivalent
Operating temperature	0 to 50 °C			
Storage temperature	-10 to 60 °C			
Mass ³	Approx. 75 g	Approx. 80 g	Approx. 75 g	Approx. 80 g
Output cable length	2 m			
Feeler	Steel ball tip, Mounting screw M2.5			
Accessories	Instruction Manual			

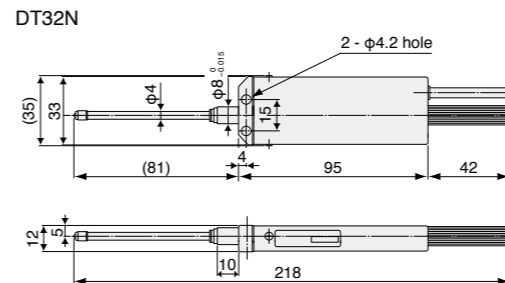
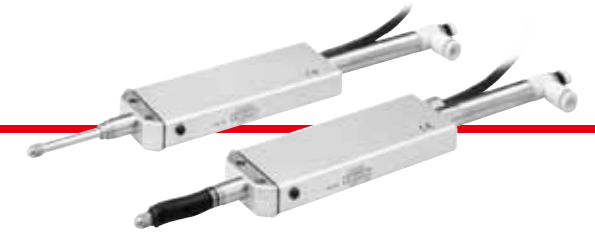
¹ Under specific test conditions defined by Magnescale Co., Ltd.

² Excluding the connector

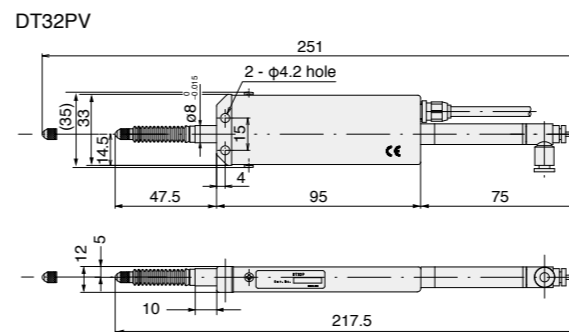
³ Excluding cable section

DT DT32

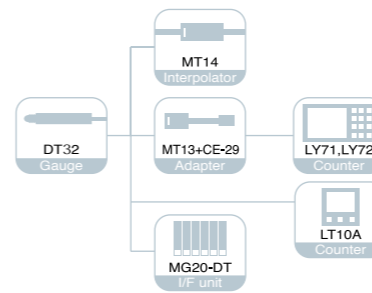
Resolution **5 μm**
Stem **φ8**
Stroke **32mm**



* Upon installation, clamp the stem.



* Upon installation, clamp the stem.



Specifications	Standard model		Protected type model	
	DT32N	DT32NV	DT32P	DT32PV
Model	DT32N	DT32NV	DT32P	DT32PV
Measuring range	32 mm			
Maximum resolution	5 μm			
Accuracy (at 20°C/68°F)	10 μm			
Measuring force (at 20°C/68°F)	¹ Upward: 1.1±0.8 N Horizontal: 1.3±0.8 N Downward: 1.5±0.8 N		2.9 N or less in all directions	² 9 N in all directions
Maximum response speed	Depending on unit to be connected			
Reference point	None			
Spindle drive system	Spring push-out	Pneumatic push	Spring push-out	Pneumatic push
Achieved number of strokes ³	5 million			
Protection grade ⁴	—		IP64 or equivalent	
Operating temperature	0 to 50 °C			
Storage temperature	-10 to 60 °C			
Mass ⁵	Approx. 120 g	Approx. 140 g	Approx. 120 g	Approx. 140 g
Output cable length	2 m			
Feeler	Provided with a steel ball tip, Mounting screw M2.5			
Accessories	Instruction Manual			

¹ At input air pressure of 1.96 × 10⁵ Pa with speed controller open (DT32N) ² At input air pressure of 2.35 × 10⁵ Pa with speed controller open

³ Based on the Magnescale-specified evaluation method ⁴ Excluding the connector ⁵ Excluding cable section